

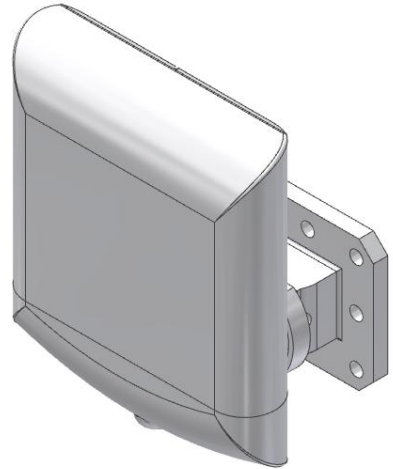
ITS Patch Antenna

5725 ~ 5875 MHz / 6dBi

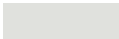

ITS-SGPA-06

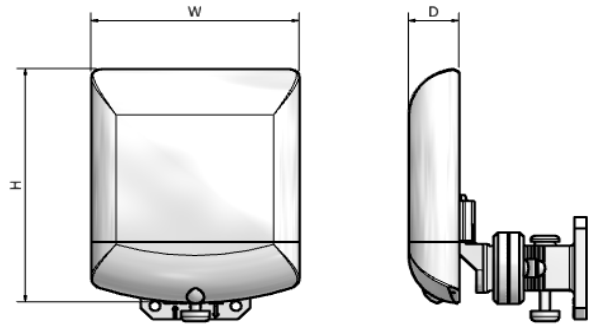
i. Electrical Specification

Frequency Range	5725 ~ 5875MHz	
Polarization	Vertical	
Band Width	150 MHz	
Gain	6 dBi	
Beam width	Horizontal	≥ 70°
	Vertical	≥ 60°
F-B ratio	≥ 10 dB	
VSWR	≤ 1 : 1.5	
Impedance	50 Ω	
Maximum input power	≤20 W	

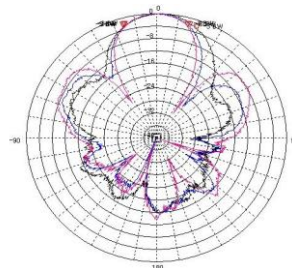


ii. Mechanical Specification

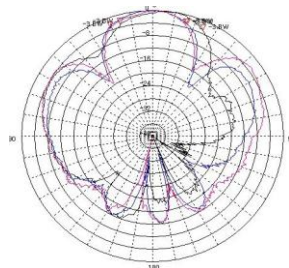
Radom Dimension (H x W x D)	115 x 95 x 23 mm	
Weight (Include bracket)	≤ 500 g	
Connector Type	N or SMA	
Withstand Wind Pressure	60 m/sec	
Radome Material	ASA, ABS	
Radome Color		
	Cool Gray 1C	Cool Gray 4C
Mechanical Down Tilt	Up, Down ± 25°	
	Left, Right ± 30°	
Temperature	-40 °C ~ 70 °C	
Packing Size (H x W x D) 50SET	-	
Packing Weight	-	



iii. Radiation Pattern



Horizontal Pattern



Vertical Pattern